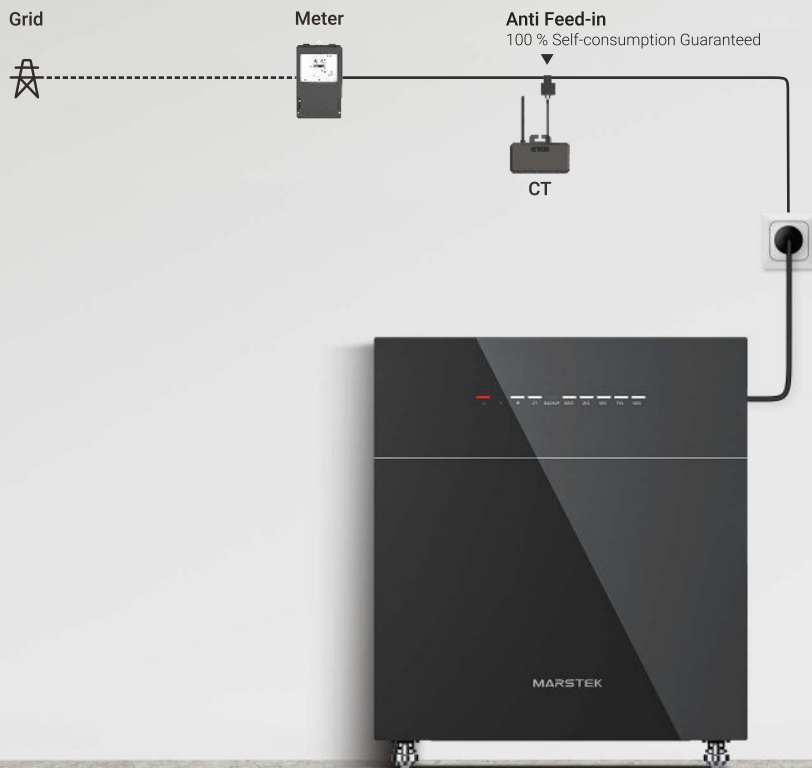


## VENUS-C

# Balcony AC Coupled ESS

- 800W On-grid, Plug & Play
- 2.56kWh Battery Capacity
- 2.5kW Back-up & Off-grid
- Anti Feed-in ,100% Self-consumption (By CT)
- RS485 EMS , Peak Shaving and Valley Filling
- IP65 Waterproof



## Marstek Energy Co., Limited

Add: BLDG#A, Changfang Industrial Park, No.2 Guihua 5th Road, Pingshan District, Shenzhen, Guangdong, China

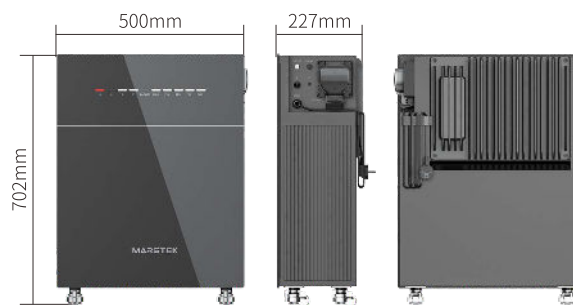
Tel: 86-755-28398778

Email: [market@marstekenergy.com](mailto:market@marstekenergy.com)

Web: [www.marstekenergy.com](http://www.marstekenergy.com)



# SPECIFICATIONS



Model	VENUS-C
<b>Battery Info</b>	
Rated Voltage	51.2V (16S)
Capacity	2560Wh
Life Cycle (Times)	>6000(25°C)
Battery Type	LiFePO <sub>4</sub>
DoD	90%
Current	60A
<b>AC Input / Output (On Grid)</b>	
Rated Input Power	2.5kW
Rated Output Power (On Grid)	800W
Operating Phase	L / N / PE
Rated Grid Voltage	220V / 230V
Grid Voltage Range	187V~253V
Rated Grid Frequency	50Hz / 60Hz
Rated Grid Input/Output Current	11.4A / 10.9A
Max. Input/Output Current	13.4A
Power Factor	> 0.99 (Default) / 0.8 leading~0.8 lagging (Adjustable)
THDi	<3%
<b>AC Output (Off Grid)</b>	
Rated Off-grid Output Power	2.5kW
Max. Apparent Output Power	2.5kVA
Max. Output Current	11.3A
Rated Output Voltage	220V
Rated Output Voltage Freq.	50Hz/60Hz
THDu (Linear Load)	<3%
<b>Efficiency</b>	
Battery-AC Side Max. Efficiency	> 93.5%
<b>Protection</b>	
Protection Level	I
Overvoltage/Voltage Withstand Level	DC II / AC III
<b>General</b>	
Isolation Type	Non-Isolated
Operating Temperature Range	-20°C~ +60°C
Relative Humidity	0-95%
Ingress Protection	IP65
Cooling Strategy	Natural Convection
Max. Operating Altitude	2000m
On-grid Connection Standard	VDE 4105/0124,TOR R25, NF EN50549-10,C10/110,UNE217001/217002,NTS 631,CEI0-21,PETREE,PN-EN 50549-1/-2
Regulatory/EMC	IEC/EN 62109-1/-2,IEC/EN 61000-6-1/-2/-3/-4,IEC/EN 61000-3-2/-3,EN 300 328,EN 301 489 -1/-17, EN 50665,EN 62920,CB 62619, EN 50549-1
Dimension	500*702*227mm
Weight	33±0.5kg
<b>Additional Data</b>	
On-grid AC Connection	Three-wire Household Plug (Euro16A)
Display	LED
Supported Communication Interface	WIFI & RS485 (Waterproof aviation plug)